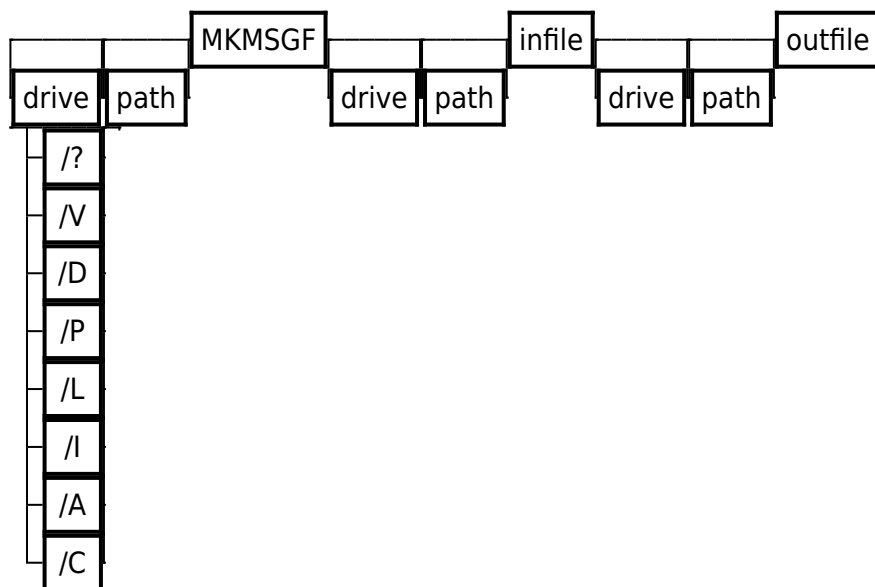


# MKMSGF

## Brief

Build message file from message source file

## Syntax



MKMSGF infile[.ext] outfile[.ext] [/?] [/V] [/D <DBCS range or country>] [/P <code page>] [/L <language id,sub id>]

## Arguments

- infile - the input file that contains message definitions. The input-file name can be any valid OS/2 file name, optionally preceded by a drive letter and a path.
- outfile field specifies the output file created by MKMSGF. The output-file name can be any valid OS/2 file name, optionally preceded by a drive letter and a path.

A valid DBCS range is: n10,n11,n20,n21,...,nn0,nn1

A single number is taken as a DBCS country code.

The valid OS/2 language/sublanguage ID values are:

Language ID:				
Code	Family	Sub	Language	Principal country
----	-----	---	-----	-----
ARA	1	2	Arabic	Arab Countries
BGR	2	1	Bulgarian	Bulgaria
CAT	3	1	Catalan	Spain

CHT	4	1	Traditional Chinese	R.O.C.
CHS	4	2	Simplified Chinese	P.R.C.
CSY	5	1	Czech	Czechoslovakia
DAN	6	1	Danish	Denmark
DEU	7	1	German	Germany
DES	7	2	Swiss German	Switzerland
EEL	8	1	Greek	Greece
ENU	9	1	US English	United States
ENG	9	2	UK English	United Kingdom
ESP	10	1	Castilian Spanish	Spain
ESM	10	2	Mexican Spanish	Mexico
FIN	11	1	Finnish	Finland
FRA	12	1	French	France
FRB	12	2	Belgian French	Belgium
FRC	12	3	Canadian French	Canada
FRS	12	4	Swiss French	Switzerland
HEB	13	1	Hebrew	Israel
HUN	14	1	Hungarian	Hungary
ISL	15	1	Icelandic	Iceland
ITA	16	1	Italian	Italy
ITS	16	2	Swiss Italian	Switzerland
JPN	17	1	Japanese	Japan
KOR	18	1	Korean	Korea
NLD	19	1	Dutch	Netherlands
NLB	19	2	Belgian Dutch	Belgium
NOR	20	1	Norwegian - Bokmal	Norway
NON	20	2	Norwegian - Nynorsk	Norway
PLK	21	1	Polish	Poland
PTB	22	1	Brazilian Portugues	Brazil
PTG	22	2	Portuguese	Portugal
RMS	23	1	Rhaeto-Romanic	Switzerland
ROM	24	1	Romanian	Romania
RUS	25	1	Russian	U.S.S.R.
SHL	26	1	Croato-Serbian (Lat	Yugoslavia
SHC	26	2	Serbo-Croatian (Cyr	Yugoslavia
SKY	27	1	Slovakian	Czechoslovakia
SQI	28	1	Albanian	Albania
SVE	29	1	Swedish	Sweden
THA	30	1	Thai	Thailand
TRK	31	1	Turkish	Turkey
URD	32	1	Urdu	Pakistan
BAH	33	1	Bahasa	Indonesia
SLO	34	1	Slovene	Slovenia

For a complete list of code pages and country codes, see the code page table under COUNTRYCODE in the online book Control Program Programming Guide and Reference.

### Output File

The output file contains the indexed message file that DosGetMessage will use. The output-file name can be any valid OS/2 file name, optionally preceded by a drive letter and a path. The output file

cannot have the same name as the input file.

To differentiate between the two files, the following convention is recommended, using the same file name.

```
The infile file should have a .TXT extension.
The outfile file should have a .MSG extension.
```

Help-message file names begin with the component identifier, followed by H.MSG. For example, the help file associated with the component identifier DOS would be DOSH.MSG.

## Options

Text-based messages in different code pages can be created using MKMSGF to display errors, help information, prompt, or provide general information to the application user.

MKMSGF uses the following parameter formats to build message files:

```
MKMSGF infile outfile /Pcodepage
MKMSGF infile outfile /Ddbcsrange or country id
MKMSGF infile outfile /LlangID,VerId
MKMSGF infile outfile /V
MKMSGF infile outfile /?
MKMSGF @controlfile
```

Infile is the ASCII-text source file.

Example:

```
MSG
MSG0001I: (mm%4dd%4yy) %2%4%1%4%3
MSG0002I: (dd%4mm%4yy) %1%4%2%4%3
MSG0003I: Current date is: %0
```

%0 is a special argument that displays a prompt for user input. %1 - %9 are the arguments the user can use to insert text in a message.

Outfile is the binary output message file.  
@controlfile is the message definition file.

## Options Summary

Type	Meaning
/P	Code-page ID for the input message file.
/D	DbcsRange or country ID for the input message file.
/L	Language family ID (one word) and language version ID (one word).
/V	Verbose display of message file control variables as the message file is being created.
/?	Help display of command syntax for MKMSGF.

Note: Any combination of /P, /D, /L, and /V switches can be used for either the command line or

@controlfile execution method.

The / switch prefix and the - prefix can be used interchangeably when defining switches to MKMSGF.

### /Verbose Option Output Example

Following is a sample of MKMSGF output, using the Verbose option (/V). This output was produced using the following command:

```
mkmsgf myapp.txt myapp.msg /v
```

```
strIn      = myapp.txt
strOut     = myapp.msg
StrInCDir  = (null)
CodePages  = 437
Language family id = 0 and sub id = 0
Language family id and sub id = unspecified
flags      = none
CP_type    = SBCS
"myapp.txt": length = 382 bytes.
29 messages scanned. Writing output file...
Size of table entry: word
```

### /P Option

The Code-page option (/P) specifies the code-page ID for that input message file.

For a complete list of code pages, see the code page table under COUNTRYCODE in the online book Control Program Programming Reference.

Up to 16 /P combinations can be saved with the message file.

/P cannot be used to identify DBCS data.

### /D Option

The DBCS option (/D) specifies the DBCS Range or country ID for that input message file.

A valid DBCS country ID will cause the initialization of valid DBCS ranges to be set up for this file.

See DBCS Code Pages and Country Codes for valid DBCS country codes. /L Option

The Language option (/L) specifies the language family ID (one word) and language version ID (one word).

Valid combination of language family and language version will be set for this file.

A valid language family with invalid or undefined language version id will cause a default value of 1 to be set for language version. /A /C /I Options

I saw these and documented them as existing years ago, but never really looked at them in depth. I made some notes on a separate page: The A, C, and I Options.

/E

See the The Extended Structure page for more information. This tacks on what I call a fake extended header at the end of the file and updates the header offset. Control Files

The control file (@controlfile) is used to create multiple-code-page message files. The at sign (@) is not part of the file name, but rather, a delimiter required before a control-file name.

The control file has the following format:

Example:

```

root.in root. Out /Pcodepage /Ddbcsrang/ctryid /LlangID,VerId
sub.001 sub1.out /Pcodepage /Ddbcsrang/ctryid /LlangID,VerId
.
.
sub.00n subn.out /Pcodepage /Ddbcsrang/ctryid /LlangID,VerId

```

The help option (/?) is invalid due to the purpose of the definition file.

Note: Any combination of /P /D /L and /V switches can be used for either the command line or msg\_definition\_file execution method. Input Message File Example

# Notes

Text based on <https://github.com/MikeyG/mkmsgf/wiki/MKMSGF-Usage>

From: <http://osfree.su/doku/> - **osFree wiki**

Permanent link: <http://osfree.su/doku/doku.php?id=en:docs:tk:tools:mkmsgf&rev=1705680623>

Last update: **2024/01/19 16:10**

