



PMGRE

This dll just forwarder to PMMERGE.DLL. No any real code in it.

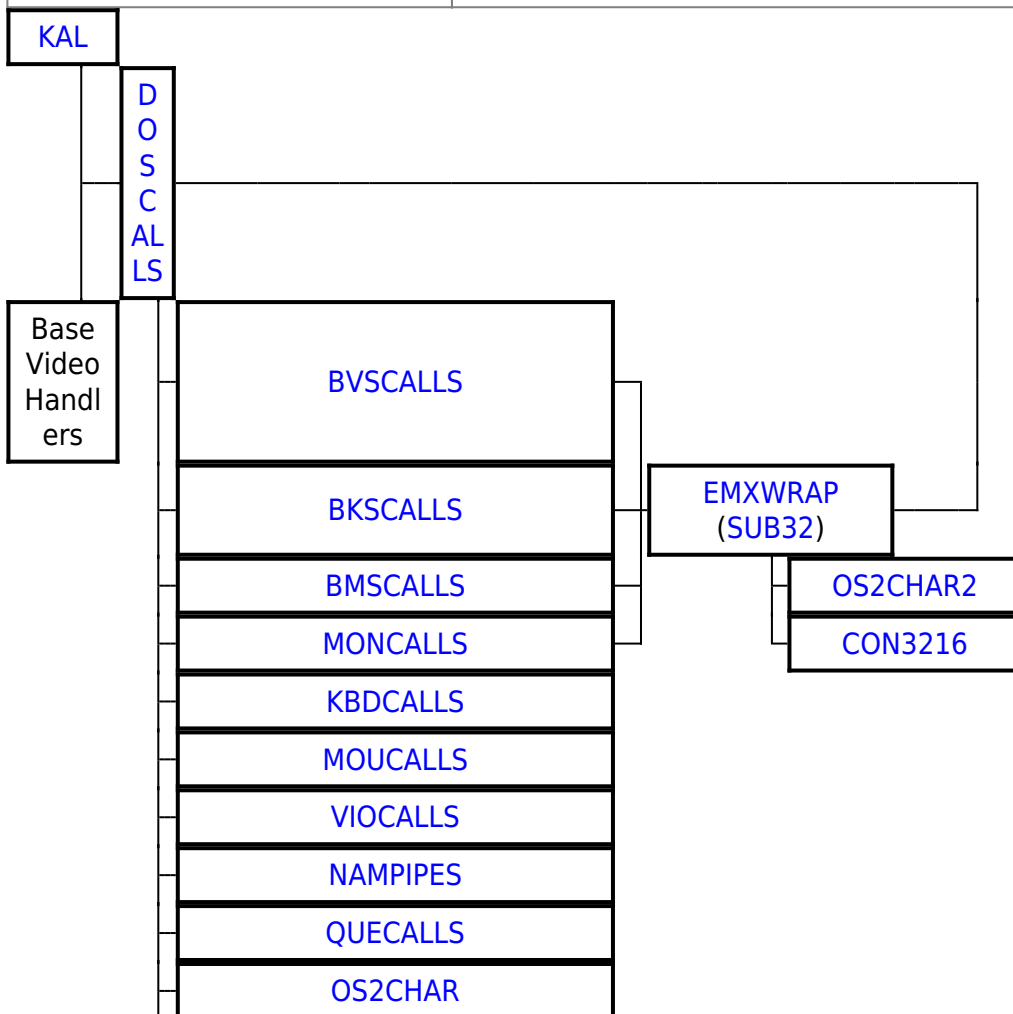
Ordinal	Name	Desc	Status
3	InnerGreEntry	Forwarder to PMMERGE.2035	Done
4	GreInitialize	Forwarder to PMMERGE.2036	Done
12	GreEntry2	Forwarder to PMMERGE.2037	Done
13	GreEntry3	Forwarder to PMMERGE.2038	Done
14	GreEntry4	Forwarder to PMMERGE.2039	Done
15	GreEntry5	Forwarder to PMMERGE.2040	Done
16	GreEntry6	Forwarder to PMMERGE.2041	Done
17	GreEntry7	Forwarder to PMMERGE.2042	Done
18	GreEntry8	Forwarder to PMMERGE.2043	Done
19	GreEntry9	Forwarder to PMMERGE.2044	Done
20	GreEntry10	Forwarder to PMMERGE.2045	Done
30	GetDriverInfo	Forwarder to PMMERGE.2046	Done
31	SetDriverInfo	Forwarder to PMMERGE.2047	Done
32	PostDeviceModes	Forwarder to PMMERGE.2048	Done
34	BitmapLimitWarning	Forwarder to PMMERGE.2049	Done
37	GetDriverInfo32	Forwarder to PMMERGE.5046	Done
38	SetDriverInfo32	Forwarder to PMMERGE.5098	Done
39	PostDeviceModes32	Forwarder to PMMERGE.5073	Done
41	PostEscape32	Forwarder to PMMERGE.5460	Done
42	PmWinGreEntry2	Forwarder to PMMERGE.2050	Done
43	PmWinGreEntry3	Forwarder to PMMERGE.2051	Done
44	PmWinGreEntry4	Forwarder to PMMERGE.2052	Done
45	PmWinGreEntry5	Forwarder to PMMERGE.2053	Done
46	PmWinGreEntry6	Forwarder to PMMERGE.2054	Done
47	PmWinGreEntry7	Forwarder to PMMERGE.2055	Done
48	PmWinGreEntry8	Forwarder to PMMERGE.2056	Done
49	PmWinGreEntry9	Forwarder to PMMERGE.2057	Done
50	PmWinGreEntry10	Forwarder to PMMERGE.2058	Done
62	Gre32Entry2	Forwarder to PMMERGE.5049	Done
63	Gre32Entry3	Forwarder to PMMERGE.5050	Done
64	Gre32Entry4	Forwarder to PMMERGE.5051	Done
65	Gre32Entry5	Forwarder to PMMERGE.5052	Done
66	Gre32Entry6	Forwarder to PMMERGE.5053	Done
67	Gre32Entry7	Forwarder to PMMERGE.5054	Done
68	Gre32Entry8	Forwarder to PMMERGE.5055	Done
69	Gre32Entry9	Forwarder to PMMERGE.5056	Done
70	Gre32Entry10	Forwarder to PMMERGE.5048	Done

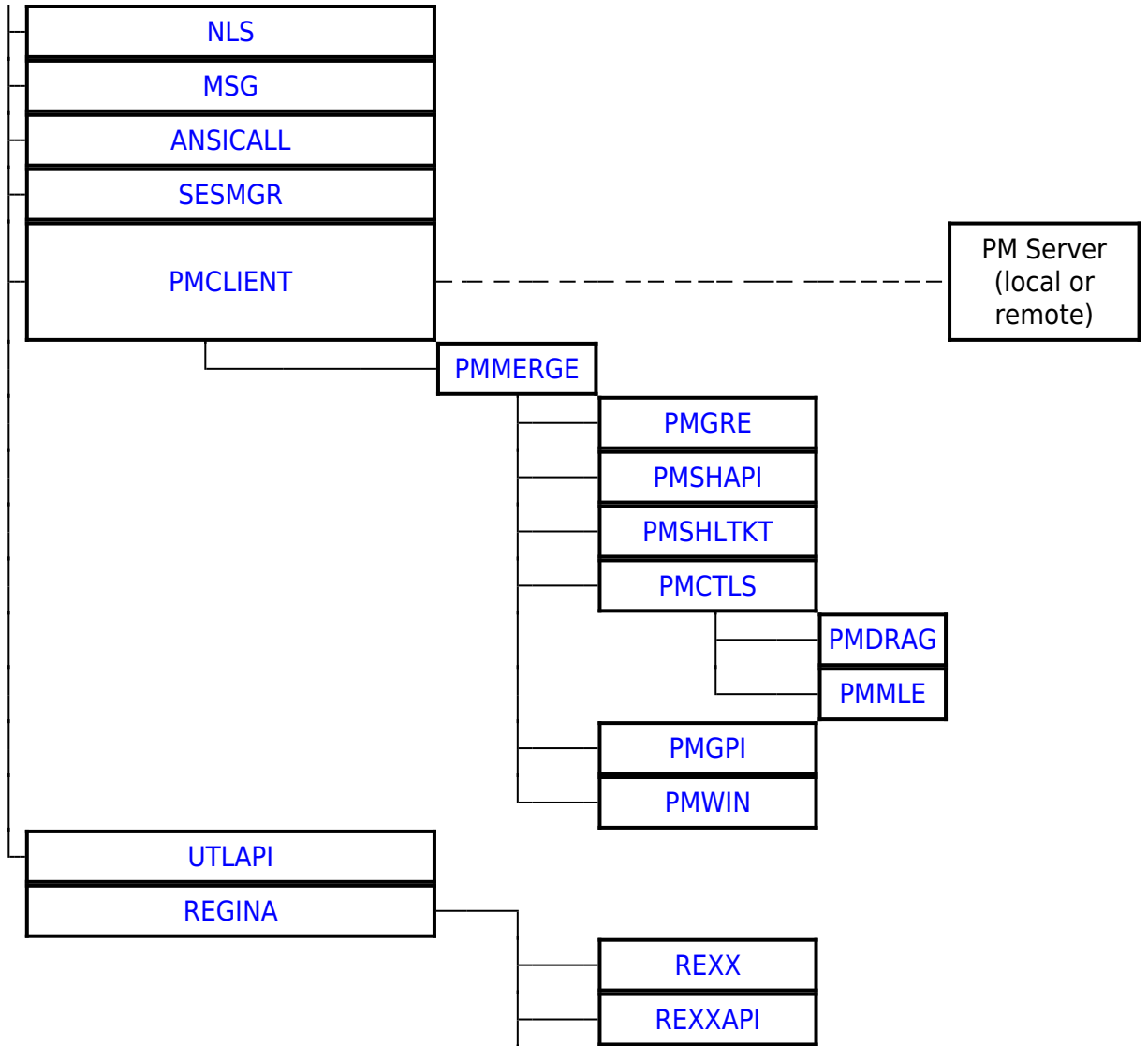
Ordinal	Name	Desc	Status
72	InnerGre32Entry2	Forwarder to PMMERGE.5060	Done
73	InnerGre32Entry3	Forwarder to PMMERGE.5061	Done
74	InnerGre32Entry4	Forwarder to PMMERGE.5062	Done
75	InnerGre32Entry5	Forwarder to PMMERGE.5063	Done
76	InnerGre32Entry6	Forwarder to PMMERGE.5064	Done
77	InnerGre32Entry7	Forwarder to PMMERGE.5065	Done
78	InnerGre32Entry8	Forwarder to PMMERGE.5066	Done
79	InnerGre32Entry9	Forwarder to PMMERGE.5067	Done
80	InnerGre32Entry10	Forwarder to PMMERGE.5059	Done
100	SSAllocSeg	Forwarder to PMMERGE.2059	Done
101	SSAllocHuge	Forwarder to PMMERGE.2060	Done
102	SSFreeSeg	Forwarder to PMMERGE.2061	Done
103	SSFlushSegs	Forwarder to PMMERGE.2062	Done
106	SSAllocMem	Forwarder to PMMERGE.5104	Done
107	SSFreeMem	Forwarder to PMMERGE.5105	Done
200	Enable_Call_16	Forwarder to PMMERGE.4010	Done
201	Devmode_Call_16	Forwarder to PMMERGE.4000	Done
202	DeleteBitmap16Call	Forwarder to PMMERGE.4021	Done
203	PFN4R2	Forwarder to PMMERGE.4015	Done
204	PFN5R2	Forwarder to PMMERGE.4016	Done
205	PFN6R2	Forwarder to PMMERGE.4017	Done
206	PFN7R2	Forwarder to PMMERGE.4018	Done
207	PFN8R2	Forwarder to PMMERGE.4019	Done
208	PFN9R2	Forwarder to PMMERGE.4020	Done
209	PFN10R2	Forwarder to PMMERGE.4014	Done
210	Devname_Call_16	Forwarder to PMMERGE.4001	Done
213	Dispatch16Gate3	Forwarder to PMMERGE.4003	Done
214	Dispatch16Gate4	Forwarder to PMMERGE.4004	Done
215	Dispatch16Gate5	Forwarder to PMMERGE.4005	Done
216	Dispatch16Gate6	Forwarder to PMMERGE.4006	Done
217	Dispatch16Gate7	Forwarder to PMMERGE.4007	Done
218	Dispatch16Gate8	Forwarder to PMMERGE.4008	Done
219	Dispatch16Gate9	Forwarder to PMMERGE.4009	Done
220	Dispatch16Gate10	Forwarder to PMMERGE.4002	Done
400	RamSemRequest32	Forwarder to PMMERGE.5097	Done
401	RamSemClear32	Forwarder to PMMERGE.5096	Done
402	RamSemRequest16	Forwarder to PMMERGE.2063	Done
403	RamSemClear16	Forwarder to PMMERGE.2064	Done
500	GreMemPtrs	Forwarder to PMMERGE.6200	Done
501	GreNLS	Forwarder to PMMERGE.6100	Done
510	SetDeviceSurface	Forwarder to PMMERGE.5108	Done

GreInitialize32.6, InitMoveCursor.33, SSServer.104, SSInit.105, SSFlushMem.108, SSServer32.140, SSInit32.141, Dispatch32Gate3.223, Dispatch32Gate4.224, Dispatch32Gate5.225, Dispatch32Gate6.226, Dispatch32Gate7.227, Dispatch32Gate8.228, Dispatch32Gate9.229, Dispatch32Gate10.230, GreRequestMutexSem.300, GreReleaseMutexSem.201 ara absent in latest

OS/2 DLLs

OS/2 DLLs	
Base API	DOSCALLS EMXWRAP SUB32 ANSICALL NLS MSG MONCALLS KBDSCALLS MOUCALLS VIOCALLS SESMGR BKSCALLS BMSCALLS BVSCALLS NAMPIPES QUECALLS OS2CHAR
Bidirectional NLS	BDCALLS BDCALLS32 BDIME BDBVH BDVIEW BDWPCLS BIDIPM PMBIDI
Unicode API	UCONV UNIKBD LIBUNI
BVH (Base Video Handlers)	BVHINIT BVHMPA BVHVGA BVHSVGA BVHWNDW
GRADD subsystem	VMAN SOFTDRAW GRE2VMAN GENGRADD
IPF (Information Presentation facility)	HELPMGR HPMGRMRI MINXOBJ IBMHMGR NEWVIEW MINXMRI ERRTXT
REXX	REXX REXXAPI REXXUTIL REGINA
The core PM DLL's	PMMERGE PMMRGRES PMSHAPI PMSHLTKT PMGRE PMGPI PMDRAG PMCTLS PMMLE PMSPL PMVIOF PMWIN
Open32	PMWINX MIRRORS REGISTRY
Intelligent Font Interface drivers	PMATM TRUETYPE PMUNIF FREETYPE PMPRE
Data Exchange	PMCLIP PMDDE PMDDEML
VDM PM interface	PMVDMH PMVDMP SEAMLESS SHIELD
WPS	PMWP PMWPMRU PMVDDROP
Miscellaneous	PMPIC PMTKT MVDM
SOM API	SOM SOMC





2016/07/25 02:16 · prokushev · 0 Comments

From: <http://osfree.su/doku/> - **osFree wiki**

Permanent link: <http://osfree.su/doku/doku.php?id=en:docs:os2:modules:pmgre>

Last update: **2018/08/11 14:56**

