



Please help to find info about enries marked as *No info*

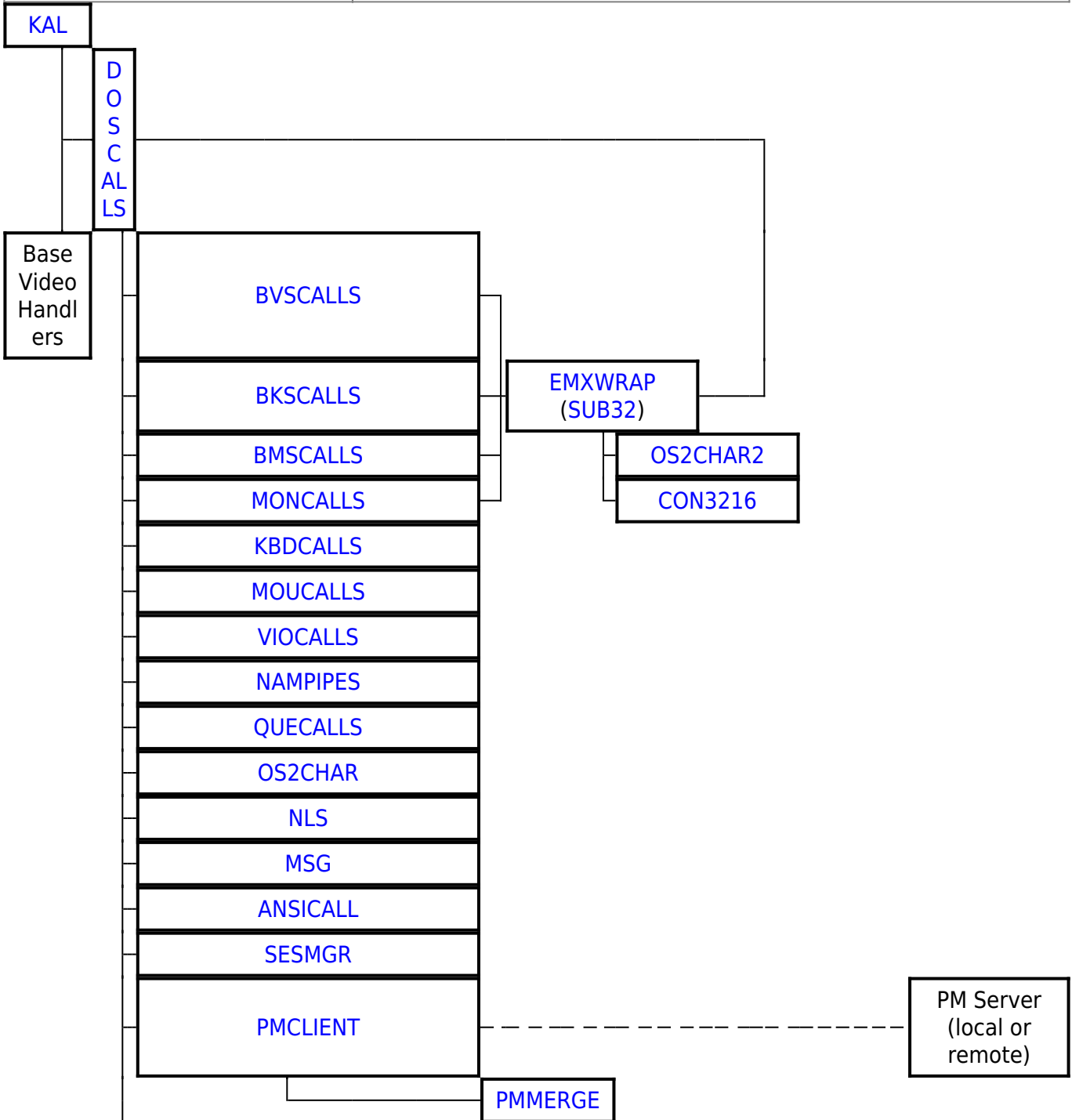
HELMGR

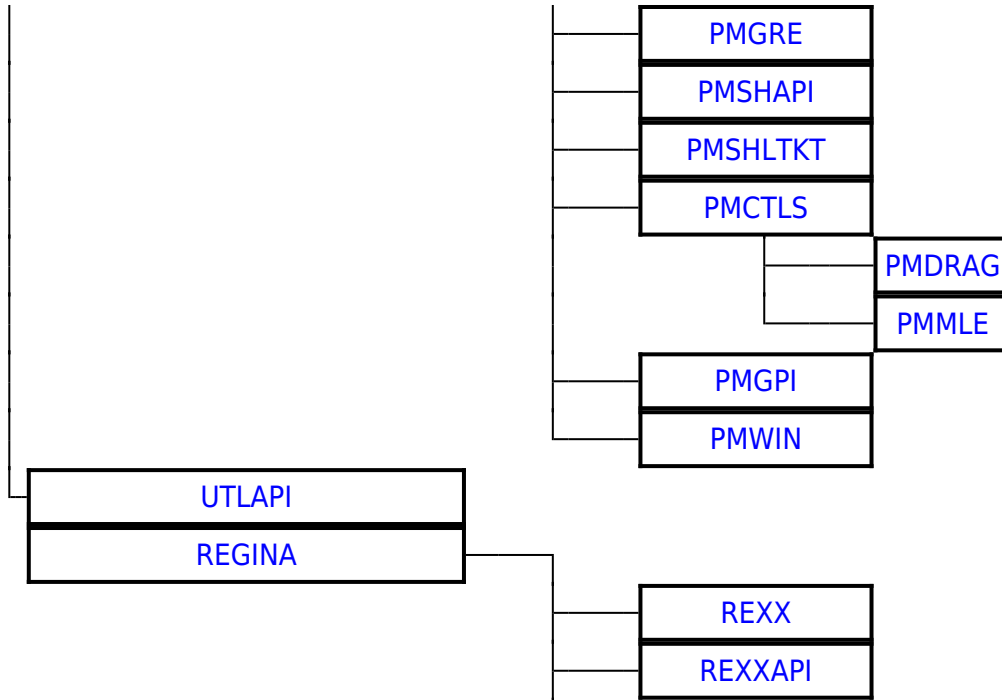
Ordinal	Name	Desc	Status
1	WinCreateHelpInstance		
2	WinDestroyHelpInstance		
3	WinQueryHelpInstance		
4	WinAssociateHelpInstance		
5	WinLoadHelpTable		
6	WinCreateHelpTable		
7	HMWindowProc		
8	HelpProcessor		
9	CoverPageFrameWindowProc		
10	CoverPageWindowProc		
11	PageFrameWindowProc		
12	PageWindowProc		
13	FootnoteFrameWindowProc		
14	FootnoteWindowProc		
15	SearchDlgProc		
16	PrtPrintDlgProc		
17	ListWindowProc		
18	ListFrameWindowProc		
19	IndexWindowProc		
20	IndexFrameWindowProc		
21	TocWindowProc		
22	TocFrameWindowProc		
23	BmBookMarkDlgProc		
24	HistoryFrameWindowProc		
25	HistoryWindowProc		
26	WinCreateBookInstance		
27	BmCuaLogoDlgProc		
28	IoLoadAllToc		
29	IoLoadAllIndex		
30	IoFreeAllToc		
31	IoFreeAllIndex		
32	IoFreeIoInfolist		
33	FindWildPattern		
34	FindPattern		
35	FindTokenPattern		
36	GetStrToken		
37	HmSetHelpDatabase		
38	MscCleanup		
39	HpfsSplitPath		

Ordinal	Name	Desc	Status
40	ChopDot		
41	MakeHpfsFileList		
42	GoodList		
43	IsValidHpfsName		
44	HpfsMakeFullPathname		
45	MscAppendInf		
46	MscStricmp		
47	MscStrnicmp		
48	LibraryFrameWindowProc		
49	LibraryWindowProc		
50	WinxxCreateHelpInstance		
51	Win32CreateHelpInstance		
52	Win32DestroyHelpInstance		
53	Win32QueryHelpInstance		
54	Win32AssociateHelpInstance		
55	Win32LoadHelpTable		
56	Win32CreateHelpTable		
57	AcvpWindowProc		
58	AcvpFrameWindowProc		
74	DdfInitialize		
75	DdfPara		
76	DdfSetFormat		
77	DdfSetTextAlign		
78	DdfSetColor		
79	DdfInform		
80	DdfSetFontStyle		
81	DdfHyperText		
82	DdfBeginList		
83	DdfListItem		
84	DdfEndList		
85	DdfText		
86	DdfMetafile		
87	DdfSetFont		
88	DdfBitmap		
89	SearchMindex		
90	DbmStrtok2		

OS/2 DLLs	
Base API	DOSCALLS EMXWRAP SUB32 ANSICALL NLS MSG MONCALLS KBDSCALLS MOUCALLS VIOCALLS SESMGR BKSCALLS BMSCALLS BVSCALLS NAMPIPES QUECALLS OS2CHAR
Bidirectional NLS	BDCALLS BDCALLS32 BDIME BDBVH BDVIEW BDWPCLS BIDIPM PMBIDI
Unicode API	UCONV UNIKBD LIBUNI
BVH (Base Video Handlers)	BVHINIT BVHMPA BVHVGGA BVHSVGGA BVHWNDW
GRADD subsystem	VMAN SOFTDRAW GRE2VMAN GENGRADD

OS/2 DLLs	
IPF (Information Presentation facility)	HELPMGR HPMGRMRI MINXOBJ IBMHMGR NEWVIEW MINXMRI ERRTXT
REXX	REXX REXXAPI REXXUTIL REGINA
The core PM DLL's	PMMERGE PMMRGRES PMSHAPI PMSHLTKT PMGRE PMGPI PMDRAG PMCTLS PMMLE PMSPL PMVIOP PMWIN
Open32	PMWINX MIRRORS REGISTRY
Intelligent Font Interface drivers	PMATM TRUETYPE PMUNIF FREETYPE PMPRE
Data Exchange	PMCLIP PMDDE PMDDEML
VDM PM interface	PMVDMH PMVDMP SEAMLESS SHIELD
WPS	PMWP PMWPMRU PMVDDROP
Miscellaneous	PMPIC PMTKT MVDM
SOM API	SOM SOMC





2016/07/25 02:16 · prokushev · 0 Comments

From:

<http://www.osfree.org/doku/> - **osFree wiki**

Permanent link:

<http://www.osfree.org/doku/doku.php?id=en:docs:os2:modules:helpmgr>

Last update: **2016/08/04 06:27**

